

# LF400-ES SOLAR ENERGY KIT Specifications



Ningbo Lefeng New Energy Co.,Ltd

## ONE PIECE MODULE ELECTRICAL DATA(STC)

Model Type	LF100M10-14H
Peak Power(Pmax)	100W
Maximum Power Voltage(Vmp)	15.93V
Maximum Power Current(Imp)	6.28A
Open Circuit Voltage(Voc)	19.13V
Short Circuit Current(Isc)	6.69A

\* STC: irradiance 1000 W/m2, AM 1.5,Gand cell temperature of 25°C

## MICRO INVERTER AND ACCESSORIES

Output	Micro inverter 300/400W
AC Cable	EU plug with AC cable 1.5mm²x3, 5M length

## TEMPERATURE&MAXIMUM RATING

Power Tolerance	0~+3%
Pmax Temperature Coefficients(W/°C)	-0.354%
Voc Temperature Coefficients(V/°C)	-0.266%
Isc Temperature Coefficients(A/°C)	+0.046%
NOCT(°C)	45±2
Operating and Storage Temperature(°C)	-40~+85

## MECHANICAL CHARACTERISTICS

One Piece Module Dimensions (mm)	700*770*25
One Piece Module Weight (kg)	4.5
Packing	4pcs/Set/carton box
Carton box Size (mm)	725*795*185
Surface Material	2.0mm Tempered glass

## PACKING WAY

20FT	28Packages/210Sets
40HQ	84Packages/504Sets

## QUALIFICATIONS AND CERTIFICATES



IEC61215:2016; IEC61730-1/-2:2016;

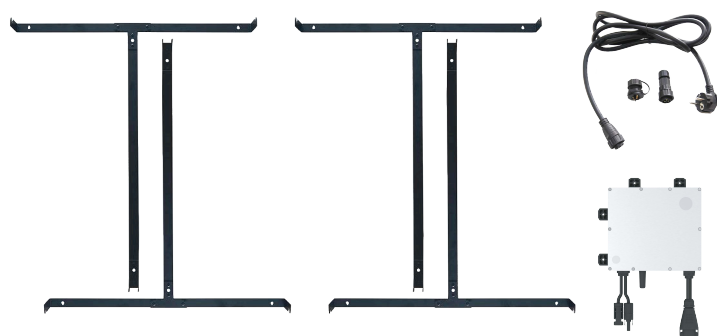
ISO 9001:2015 Quality Management System

ISO 14001:2015 Environmental Management System

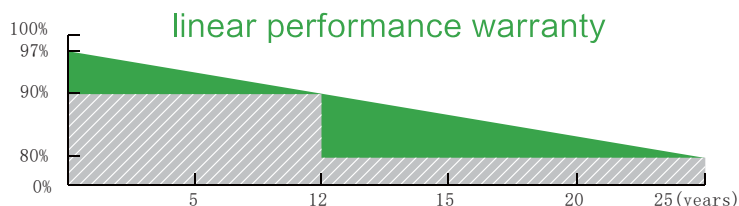
ISO 45001:2018 Occupational Health and Safety Management System



## PRODUCT PHOTOGRAPHS



## WARRANTY



Ningbo Lefeng New Energy Co.,Ltd

Tel: +86-0574-25709777 Tel: +86-0574-25758826

E-mail: Sales@lefn.com

Add: No. 55 Haihe Road, Binhai Industrial Park, Xiangshan County, Ningbo, China

