

# FC01

## Metal skeleton

SPCC stainless steel + stamping process + electrostatic spraying process, high strength skeleton, corrosion resistant

## Rubber strip

Rubber – Malaysian SMR-cv60 natural rubber  
Silicone – imported from Japan

## High strength adapters

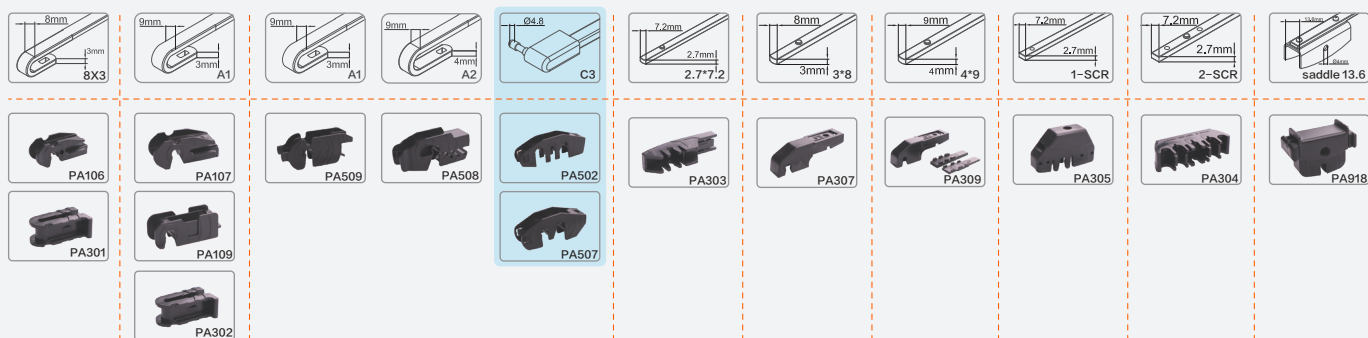
POM material, strong toughness, not easy to age and break, to ensure that the wiper and the rocker arm are firmly connected and do not fall off

## Adaptive structural design

The wipers are lined with a memory steel bar that adjusts itself to the window for a clean, leak-free fit.



## ADAPTER



## LENGTH

INCH	11"	12"	13"	14"	15"	16"	17"	18"	19"
MM	275	300	325	350	375	400	425	450	475
INCH	20"	21"	22"	23"	24"	25"	26"	27"	28"
MM	500	525	550	575	600	625	650	675	700



# FC03

## Metal skeleton

SPCC stainless steel + stamping process + electrostatic spraying process, high strength skeleton, corrosion resistant

## Rubber strip

Rubber – Malaysian SMR-cv60 natural rubber  
Silicone – imported from Japan

## High strength adapters

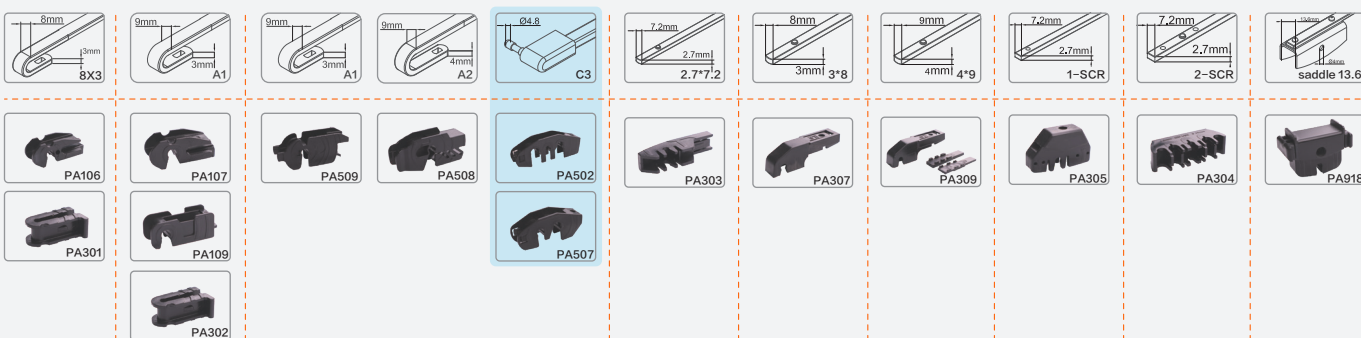
POM material, strong toughness, not easy to age and break, to ensure that the wiper and the rocker arm are firmly connected and do not fall off

## Adaptive structural design

The wipers are lined with a memory steel bar that adjusts itself to the window for a clean, leak-free fit.



## ADAPTER



## LENGTH

INCH	15"	16"	17"	18"	19"	20"	21"	22"
MM	375	400	425	450	475	500	525	550
INCH	23"	24"	25"	26"	27"	28"		
MM	575	600	625	650	675	700		



# FC02

## Metal skeleton

SPCC stainless steel + stamping process + electrostatic spraying process, high strength skeleton, corrosion resistant

## Rubber strip

Rubber – Malaysian SMR-cv60 natural rubber  
Silicone – imported from Japan

## High strength adapters

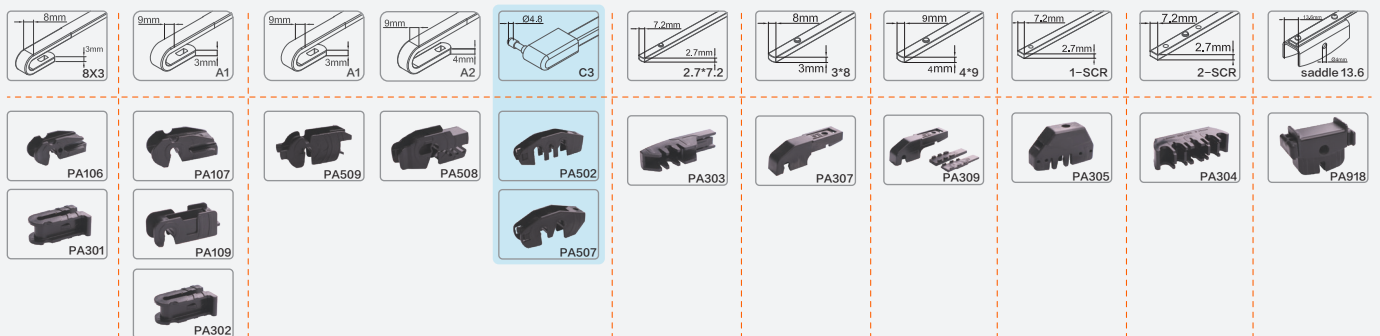
POM material, strong toughness, not easy to age and break, to ensure that the wiper and the rocker arm are firmly connected and do not fall off

## Adaptive structural design

The wipers are lined with a memory steel bar that adjusts itself to the window for a clean, leak-free fit.



## ADAPTER



## LENGTH

INCH	11"	12"	13"	14"	15"	16"	17"	18"	19"
MM	275	300	325	350	375	400	425	450	475
INCH	20"	21"	22"	23"	24"	25"	26"	27"	28"
MM	500	525	550	575	600	625	650	675	700

# FC U-Hook Universal Series



## FC04

### PRODUCT FEATURES

#### Metal skeleton

SPCC stainless steel + stamping process + electrostatic spraying process, high strength skeleton, corrosion resistant

#### Rubber strip

Rubber – Malaysian SMR-cv60 natural rubber  
Silicone – imported from Japan

#### High strength adapters

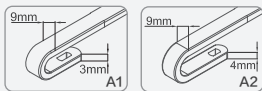
POM material, strong toughness, not easy to age and break to ensure that the wiper and the rocker arm are firmly connected and do not fall off

#### Adaptive structural design

The wipers are lined with a memory steel bar that adjusts itself to the window for a clean, leak-free fit.

Applicable models: BMW GT340i / Mercedes-Benz AMG A45

#### ARM



Embedded stainless steel strip, providing overall toughness, the strip is soft but not collapsed, and the cleaning force is stronger. The self-developed secret recipe for rubber refining, Galvanizing process combined with electrostatic spraying, multi-layer coating, stable coating without blistering and falling off, all-round corrosion resistance

### LENGTH

INCH	14"	15"	16"	17"	18"	19"	20"	21"
MM	350	375	400	425	450	475	500	525
INCH	22"	23"	24"	25"	26"			
MM	550	575	600	625	650			

# Wind pressure plate U-hook universal series

## 风压片U型勾通用系列

### PRODUCT FEATURES

#### Pressure plate design

Make full use of aerodynamic force to make the wiper fit the window better  
Effectively avoid missing scratches and shaking

#### Rubber strip

Rubber – Malaysian SMR-cv60 natural rubber  
Silicone – imported from Japan

#### High strength adapters

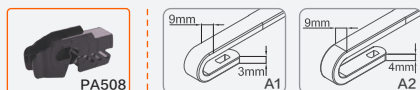
POM material, strong toughness, not easy to age and break  
to ensure that the wiper and the rocker arm are firmly connected and do not fall off

#### Adaptive structural design

The wipers are lined with a memory steel bar that adjusts itself to the window for a clean, leak-free fit.

The skeleton is stamping and forming without welding seams, the structure is solid and strong, phosphate electrophoresis, matte spraying multi-layer coating, rust prevention, salt spray resistance, suitable for extreme weather

### ADAPTER



### LENGTH

INCH	14"	15"	16"	17"	18"
MM	350	375	400	425	450
INCH	19"	20"	21"	22"	23"
MM	475	500	525	550	575
INCH	24"	25"	26"		
MM	600	625	650		



### FC18

Renault landscape / MINI Clubman Cooper R55

...



### FC19

Renault landscape / MINI Clubman Cooper R55

...



### FC20

Renault landscape / MINI Clubman Cooper R55

...





# FC05

Customized for Land Rover



## Metal skeleton

SPCC stainless steel + stamping process + electrostatic praying process, high strength skeleton, corrosion resistant

## Rubber strip

Rubber – Malaysian SMR-cv60 natural rubber  
Silicone – imported from Japan

## High strength adapters

POM material, strong toughness, not easy to age and break to ensure that the wiper and the rocker arm are firmly connected and do not fall off

## Adaptive structural design

The wipers are lined with a memory steel bar that adjusts itself to the window for a clean, leak-free fit.

## LENGTH

INCH	22"	26"
MM	550	650

# PRODUCT TEXT

## Metal wiper blade

Embedded stainless steel strip, providing overall toughness, the strip is soft but not collapsed, and the cleaning force is stronger. The self-developed secret formula of rubber refining, the strip is resistant to 80 °C high temperature, - 40 °C low temperature, anti-aging and anti ultraviolet

Galvanizing process combined with electrostatic spraying, multi-layer coating, stable coating without blistering and falling off, all-round corrosion resistance of wiper, long service life

