

# PRODUCT TEXT

## HYBRID WIPER BLADES

Three section structure, optimize the angle and radian of the wiper to make it more close to the glass

Streamline the skeleton and reduce the weight of the wiper

Multi segment protective shell, multi-directional corrosion resistance

Slope design of protective shell, aerodynamic principle, ingenious use of wind pressure, improvement of cleaning force, abnormal sound of wiping and no shaking



# FH06



## Protective polymer shell

Made of high quality environmentally friendly polymer, suitable for -40° C low temperature 80° C high temperature

## Rubber strip

Rubber—Malaysian SMR-cv60 natural rubber  
Silicone—imported silicone from Japan

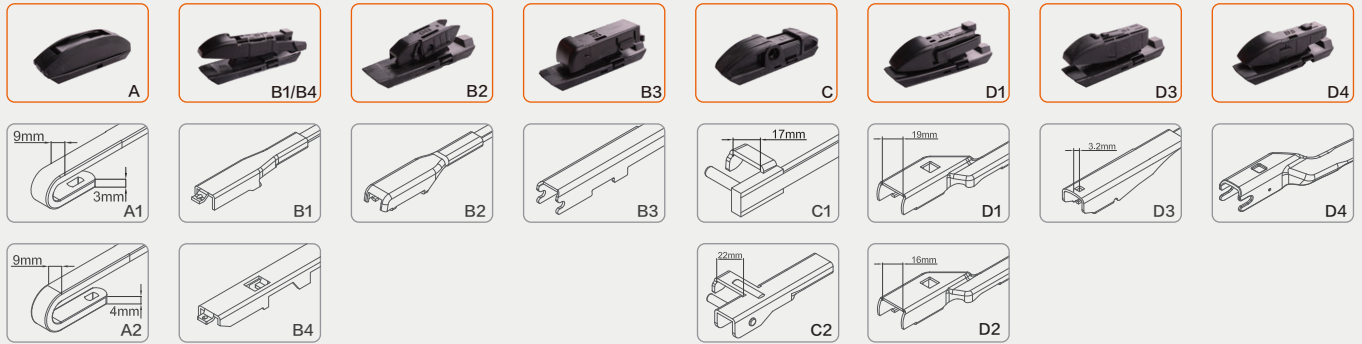
## Aerodynamic design

Slope shaping that pressurises and diverts at high speeds, keeping the flip flexible and shake-free when scraping rain

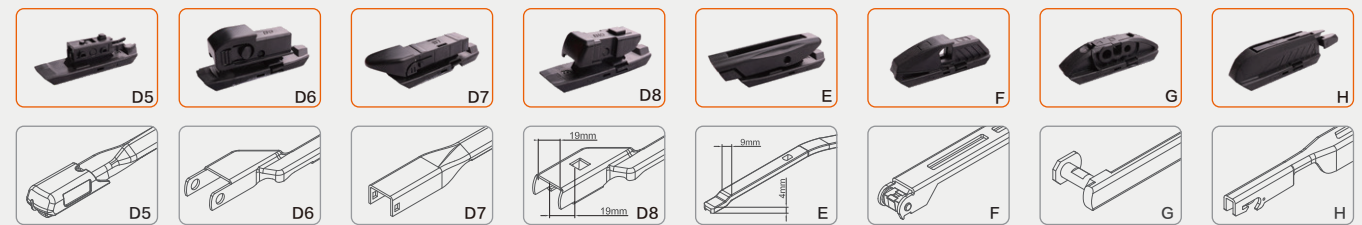
## Composite structure

The fins are evenly distributed in the skeleton, so that the wipers are evenly stressed and fit tightly to the window.

## ADAPTER



## ADAPTER



## LENGTH

INCH	12"	14"	15"	16"	17"	18"	19"	20"
MM	300	350	375	400	425	450	475	500

INCH	21"	22"	24"	26"	28"
MM	525	550	600	650	700

# FH-U Hook Universal Series

## U型勾通用系列

### 产品特点

#### Protective polymer shell

Made of high quality environmentally friendly polymer, suitable for  $-40^{\circ}\text{C}$  low temperature  $80^{\circ}\text{C}$  high temperature

#### Rubber strips

Rubber – Malaysian SMR-cv60 natural rubber  
Silicone – imported silicone from Japan

#### Aerodynamic design

Slope shaping that pressurises and diverts at high speeds, keeping the flip flexible and shake-free when scraping rain

#### Composite structures

The fins are evenly distributed in the skeleton, so that the wipers are evenly stressed and fit tightly to the window.



### FH01

Toyota Corolla / Toyota Camry / Toyota Levin ...



Three section structure, designed for Toyota windows

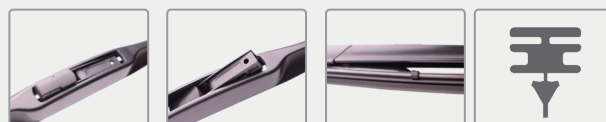
#### LENGTH

INCH	14"	15"	16"	17"	18"	19"
MM	350	375	400	425	450	475
INCH	20"	21"	22"	24"	26"	28"
MM	500	525	550	600	650	700



### FH02

Honda Civic / Mazda8 / Nissan Sylphy ...



Structure optimization, can adapt to a variety of Japanese cars

#### LENGTH

INCH	12"	14"	15"	16"	17"	18"	19"
MM	300	350	375	400	425	450	475
INCH	20"	21"	22"	24"	26"	28"	
MM	500	525	550	600	650	700	



### FH03

Volkswagen SANTANA / Volkswagen Golf ...

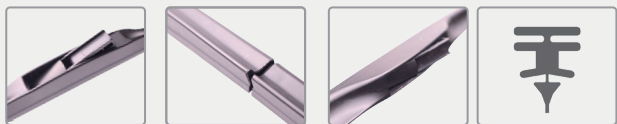


Slope design, maximum use of wind pressure

#### LENGTH

INCH	14"	15"	16"	17"	18"	19"
MM	350	375	400	425	450	475
INCH	20"	21"	22"	24"	26"	28"
MM	500	525	550	600	650	700

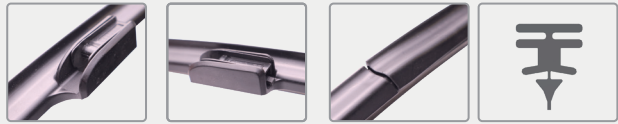
Three-stage construction with optimised wiper angle and curvature for a better fit to the glass  
 Reduced weight of wipers by streamlining the skeleton  
 Multi-sectional protective case on the outside for multi-faceted corrosion resistance  
 Protective shell slope design, aerodynamic principle, clever use of wind pressure, improved cleaning power, rain scraping noise, no shaking



Professional customization according to Nissan models

**LENGTH**

INCH	14"	18"	22"	23"	24"	26"	28"
MM	350	450	550	575	600	650	700



PA66 + 35 reinforced nylon skeleton, the main body is strong and corrosion-resistant, and the use is more durable

**LENGTH**

INCH	16"	17"	18"	22"	24"	26"
MM	400	425	450	550	600	650

